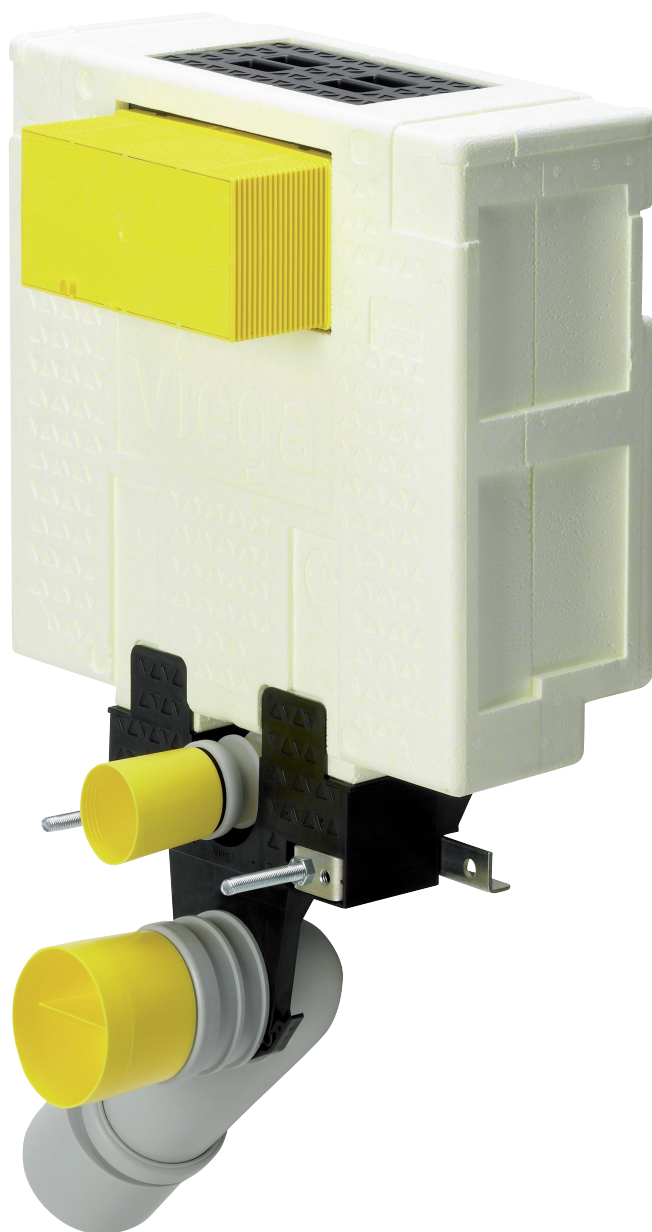


Viega Mono WC block

Instructions for Use



Model
8330.2

Year built:
from 05/2014

en_INT



Table of contents

1	About these instructions for use	4
1.1	Target groups	4
1.2	Labelling of notes	4
1.3	About this translated version	5
2	Product information	6
2.1	Intended use	6
2.1.1	Areas of use	6
2.2	Product description	7
2.2.1	Overview	7
2.2.2	Compatible components	9
2.2.3	Sound protection	10
2.2.4	Technical data	10
2.3	Required accessories	11
3	Handling	12
3.1	Assembly information	12
3.1.1	Mounting conditions	12
3.1.2	Installation dimensions	12
3.1.3	Required tools and materials	13
3.2	Assembly	14
3.2.1	Preparing mounting	14
3.2.2	Mounting the Viega Mono	18
3.2.3	Preparing optional actuation versions	22
3.2.4	Fixing the Viega Mono WC block	23
3.2.5	Setting the flush volume	24
3.3	Cleaning and maintenance	25
3.4	Disposal	26

1 About these instructions for use

Trade mark rights exist for this document; for further information, go to viega.com/legal.

1.1 Target groups

The information in this instruction manual is directed at the following groups of people:

- Heating and sanitary professionals and trained personnel

It is not permitted for individuals without the abovementioned training or qualification to mount, install and, if required, maintain this product. This restriction does not extend to possible operating instructions.

The installation of Viega products must take place in accordance with the general rules of engineering and the Viega instructions for use.

1.2 Labelling of notes

Warning and advisory texts are set aside from the remainder of the text and are labelled with the relevant pictographs.



DANGER!

This symbol warns against possible life-threatening injury.



WARNING!

This symbol warns against possible serious injury.



CAUTION!

This symbol warns against possible injury.



NOTICE!

This symbol warns against possible damage to property.



Notes give you additional helpful tips.

1.3 About this translated version

This instruction for use contains important information about the choice of product or system, assembly and commissioning as well as intended use and, if required, maintenance measures. The information about the products, their properties and application technology are based on the current standards in Europe (e. g. EN) and/or in Germany (e. g. DIN/DVGW).

Some passages in the text may refer to technical codes in Europe/Germany. These should serve as recommendations in the absence of corresponding national regulations. The relevant national laws, standards, regulations, directives and other technical provisions take priority over the German/European directives specified in this manual: The information herein is not binding for other countries and regions; as said above, they should be understood as a recommendation.

2 Product information

2.1 Intended use

2.1.1 Areas of use

The Viega Mono WC block is suitable for walling in and around, for single mounting, for line mounting, and stand-alone mounting. The closed casing of the Viega Mono WC block is made of expanded polystyrene (EPS), offers sound protection and serves as render base. Flush actuation is possible from the front or the top for WC ceramic types with a projection of more than 500 mm. With WC ceramic types with a projection of under 500 mm, flush actuation is possible from the top only.

This model is equipped with dual flush technology and is delivered without flush plates. For complete mounting, a Visign flush plate must be purchased additionally.

2.2 Product description

2.2.1 Overview

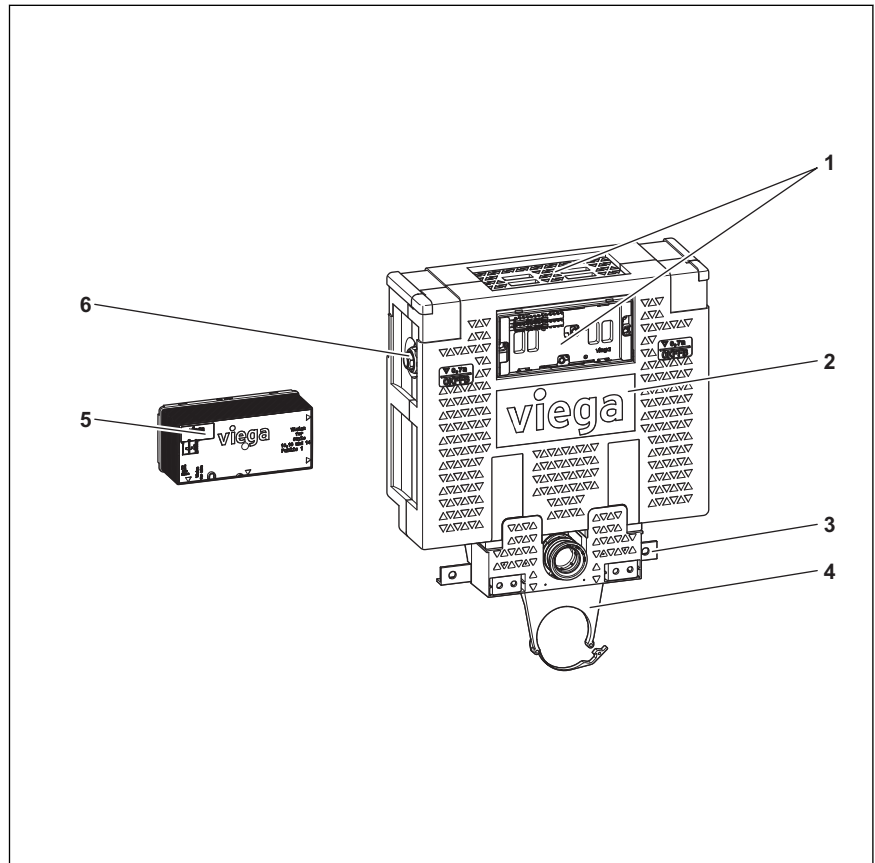


Fig. 1: Components

- 1 Protective cover (flush actuation is possible from the top and the front)
- 2 Viega Mono WC block with noise-insulating EPS casing and pre-mounted 2L concealed cistern
- 3 Guide rail of the Viega Mono WC block
- 4 Mounting bracket for drain elbow
- 5 Revision frame for the cistern
- 6 Water connection

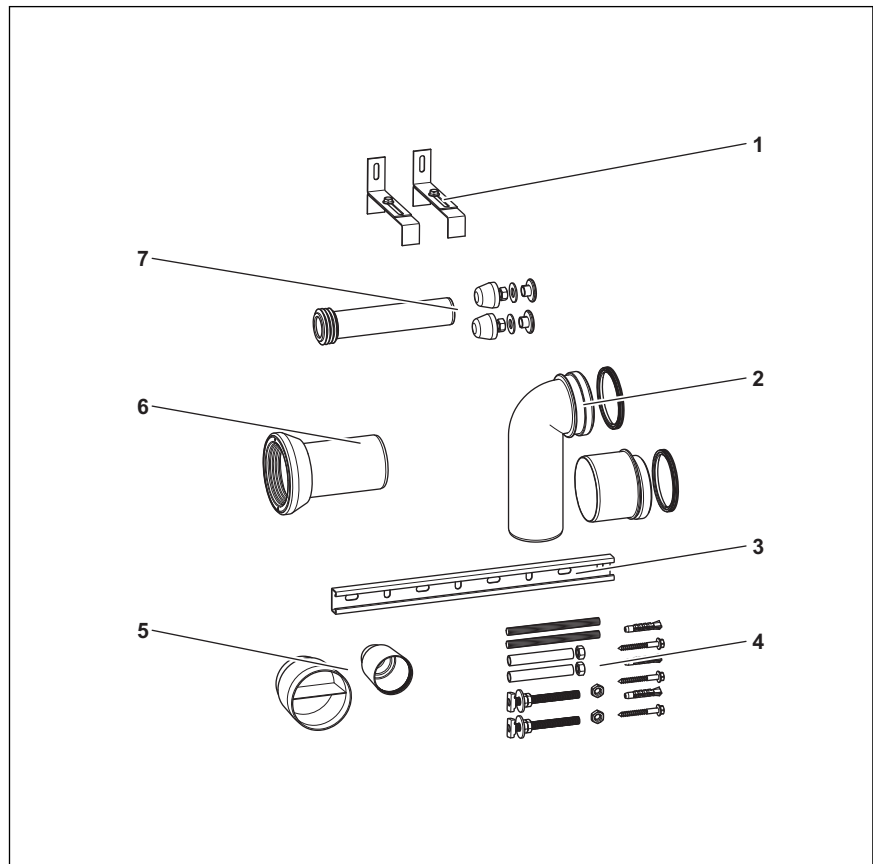


Fig. 2: Accessories

- 1 Mounting angles for wall mounting
- 2 WC connection elbow, PP, DN 90, with seal and eccentric WC adapter, PP, DN 90/100, with seal
- 3 Mounting rail
- 4 Fixing material: threaded rods for fixing sanitary objects, and fixing screws
- 5 Protective plug for flushing pipe and connection elbow
- 6 WC connection socket with lip seal
- 7 Flushing pipe with flushing pipe connector and mounting set

2.2.2 Compatible components

Compatible flush plates

The Viega Mono WC block can be supplemented with the following flush plates:

- flush plate Standard 1, model 8180.1
- Visign for Style 10, model 8315.1
- Visign for Style 11, model 8331.1
- Visign for Style 12, model 8332.1
- Visign for Style 12, model 8332.4
- Visign for Style 13, model 8333.1
- Visign for Style 14, model 8334.1
- Visign for Style functional unit, model 8332.3
- Visign for Public 1, model 8326.1
- Visign for Public 2, model 8327.1
- Visign for Public, remote actuation, model 8326.21
- Visign for Public, cover plate, model 8326.9
- Visign for More 100, model 8352.1
- Visign for More 101, model 8351.1
- Visign for More 102, model 8353.1
- Visign for More 104, model 8354.1
- Visign for More 100 sensitive, model 8352.11
- Visign for More 100 sensitive, model 8352.12
- Visign for More 103 sensitive, model 8351.11
- Visign for More 103 sensitive, model 8353.12
- Visign for Care sensitive, model 8352.21

As a precondition for using the models of the Visign for More sensitive series, a suitable type of WC ceramic must be selected. The following types of WC ceramic are unsuitable: Those whose WC lid, when raised, covers the flush plate in whole or in part, unintentionally enabling flush actuation.

For more details on the respective versions, see the 'Practice manual'.

Compatible electronic flush actuation devices

The Viega Mono WC block can be supplemented with the following electronic flush actuation devices:

- WC flush actuation, model 8350.32

Other compatible components

The Viega Mono WC block is compatible with common WC ceramic types. All components required for wall mounting are comprised in the scope of delivery of a Viega Mono WC block (☞ *Chapter 2.2.1 „Overview“ on page 7*).

The following compatible components can be used for extensions:

- Mounting rail for line mounting, including adjustment and fixing material, model 8001
- Viega Mono standing bracket for stand-alone mounting, model 8310.45
- Viega Mono mounting set, mounting aid, model 8310.5
- Accessories: Viega Mono mounting set, elbow, model 8310.54

2.2.3 Sound protection

Sound and site protection through EPS

The compact casing of the Viega Mono product series consist of expanded polystyrene (EPS). This material offers effective sound protection and serves as render base. No further soundproofing measures are required.

The minimum thickness for plaster on the polystyrene body must be 15 mm including tiles.

2.2.4 Technical data

The product has the following technical data:

Connection elbow	DN 90, PP
Fitting connection, pre-mounted corner valve, factory-fitted on left	Rp ½
Maximum height from upper edge of the finished floor	820 mm
cistern	Concealed cistern 2L: Concealed cistern with actuation from front and from above, pre-mounted water path
Cistern volume	9 litres
Flushing technology	Dual flush technology: Small flush setting range from approx. 3 up to approx. 4 litres, large flush volume continuously adjustable from approx. 6 to approx. 9 litres

2.3 Required accessories

flush plate

For complete mounting, you require a Visign flush plate. Compatible flush plates are listed in the chapter ↗ *Chapter 2.2.2 „Compatible components“ on page 9.*

Standing bracket for stand-alone mounting

You require the Viega Mono standing bracket model 8310.45 to enable the stand-alone mounting of the Viega Mono WC block.

3 Handling

3.1 Assembly information

3.1.1 Mounting conditions

Stand-alone mounting or wall mounting

The Viega Mono WC block can be mounted with a Viega Mono standing bracket, model 8310.45, free-standing or on an even wall.

Construction height

The maximum construction height from the UEFFL is 820 mm.

3.1.2 Installation dimensions

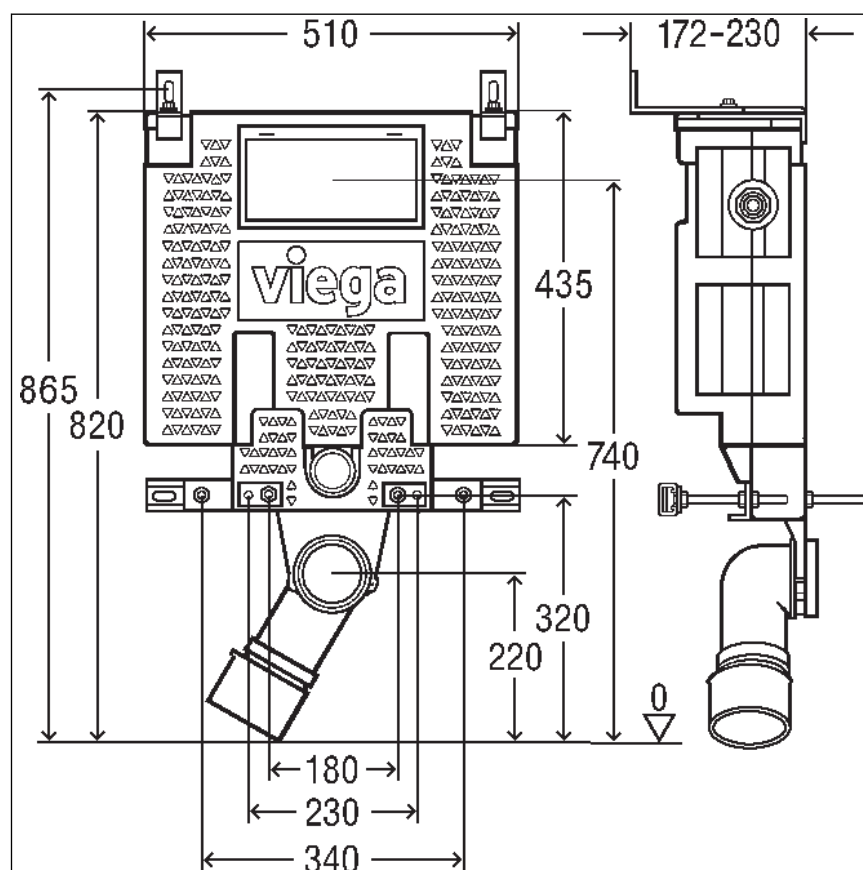


Fig. 3: Dimensional drawing

3.1.3 Required tools and materials

Required tools

The following tools are required for mounting:

- Drill with 10 mm drill bit
- Fork or ring spanner, size 13 and size 17
- Ratchet with sockets, 13 and 17 mm
- screwdriver
- Spirit level

Required material

The following tools, which are not comprised in the scope of delivery, are required for mounting:

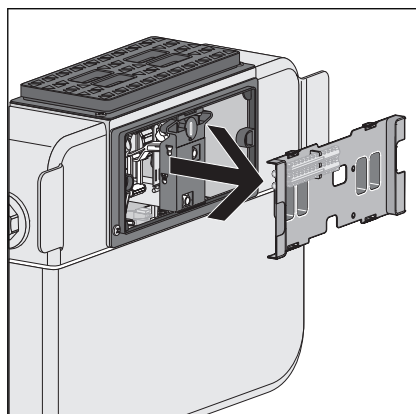
- Material for bricking in the block
- Flush plate for the WC
- Concrete lintel above the WC block, if the block is room-high or the block is mounted in a niche
- for a line mounting: mounting rail (model 8001)

3.2 Assembly

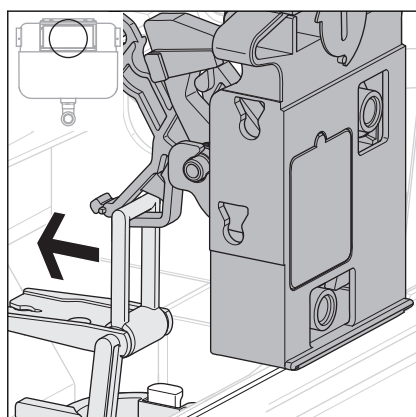
3.2.1 Preparing mounting

Converting the flush actuation

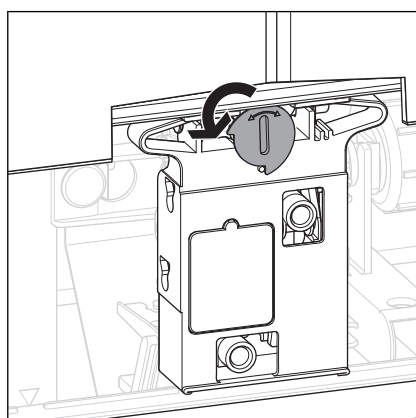
Actuation can take place optionally from the front or the top. The actuation is pre-mounted from the front in delivery condition. To convert actuation from above, proceed as follows:



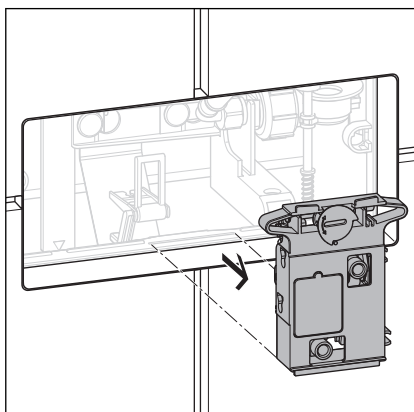
- Remove the front cistern cover.



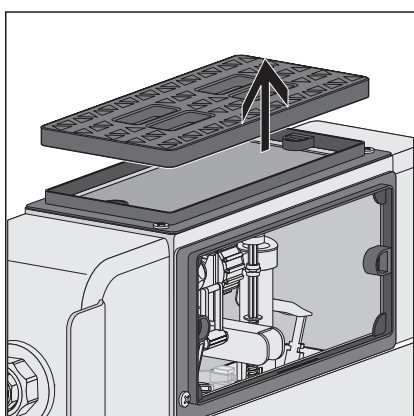
- Press the bow of the drain valve backwards from the bracket of the mechanism.



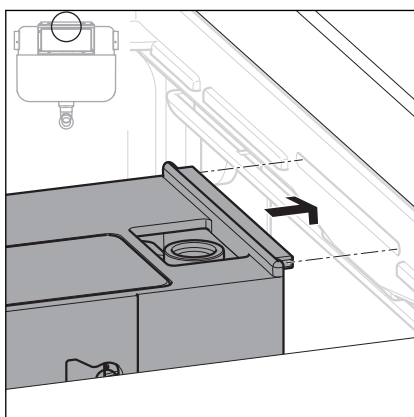
- Turn the mechanism's lock by 90° in an anti-clockwise direction.
 - ⇒ The mechanism is unlocked and can be removed.



➤ Remove mechanism.

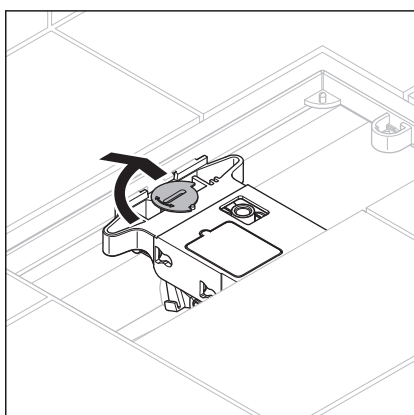


➤ Remove cover.



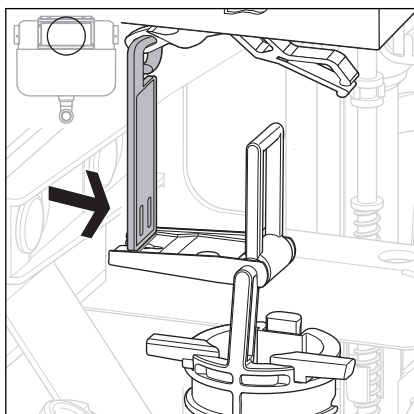
➤ Insert the mechanism into the cistern from above.

In doing so, ensure that the tracks on the top and bottom edge of the mechanism are in the indentations in the revision shaft of the cistern.

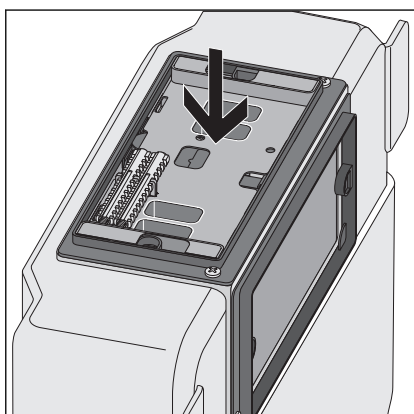


➤ Turn the mechanism's lock by 90° in a clockwise direction.

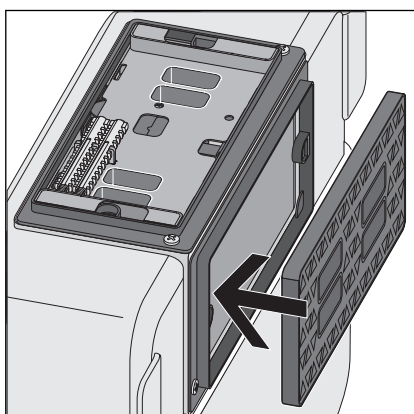
⇒ The mechanism is locked.



► Hang the bow of the mechanism in the bow of the drain valve.



► Insert cistern cover from above.



► Insert the revision frame and the cover in the front.

Preparing the mounting versions

Three mounting versions are available:

- Single mounting with supplied mounting rail, standard mounting
- Line mounting with 3000 mm mounting rail (not included in scope of delivery)
- Stand-alone mounting with standing bracket (not included in the scope of delivery)

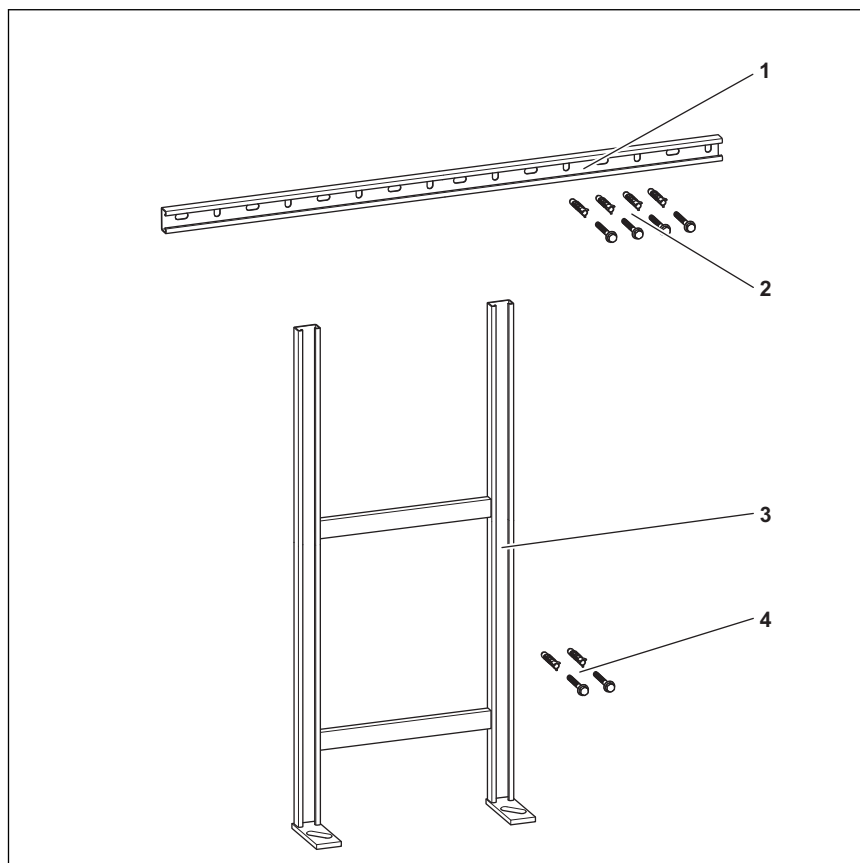


Fig. 4: Accessories for mounting versions line mounting and stand-alone mounting

- 1 Mounting rail for line mounting
- 2 Fixing material mounting rail
- 3 Viega Mono standing bracket for stand-alone mounting
- 4 Fixing material standing bracket

- Note the required dimensions and minimum distances.
- Have the material required for **line mounting** ready (mounting rail, model 8001 and fixing material).
- Have the material required for **stand-alone mounting** ready (Viega Mono standing bracket, model 8310.45).

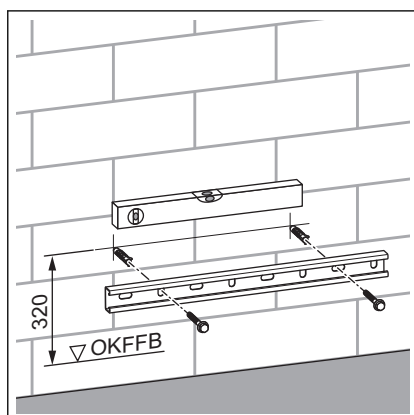
3.2.2 Mounting the Viega Mono

Wall mounting with mounting rail



Single mounting (standard mounting) and line mounting

A standard mounting, a single mounting with supplied mounting rail, is described in this chapter. For a line mounting, one or more 3000-mm-mounting rails (model 8001) are required. The mounting steps are all identical.



INFO! Fixing height of the WC ceramic The fixing height of the WC ceramic is the drill hole height for rail mounting.

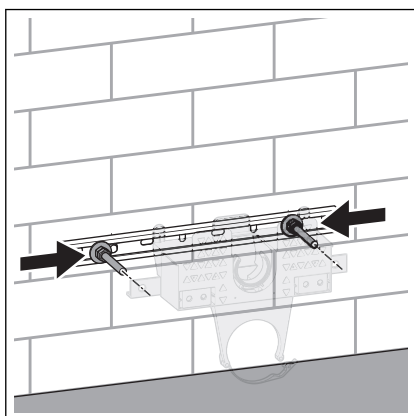
- Determine the drill hole height for rail mounting.
- Determine drill hole position. Line the mounted Viega Mono WC block with bricks 300 mm each at both sides.
- With the help of the mounting rail and a spirit level, mark two drill hole positions and drill holes.
- Screw the mounting rail tight using the fixing screws supplied.



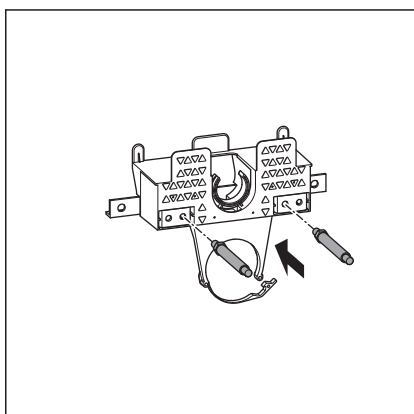
Line mounting

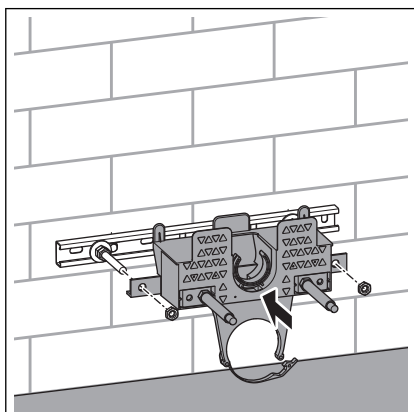
For line mounting, fix further mounting rails as described.

- Fit threaded rod with an interval of 340 mm between them onto the mounting rail.

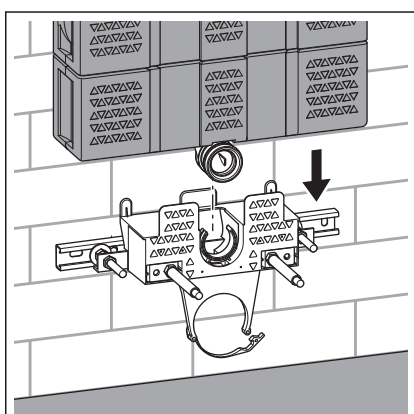


- Turn in threaded rods for fixing sanitary objects

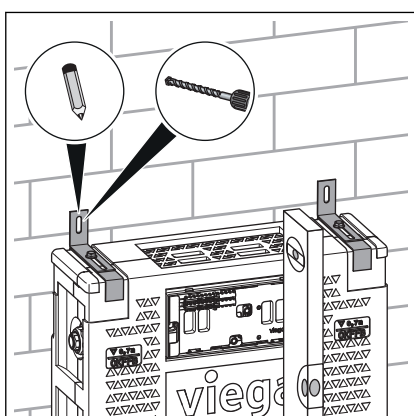




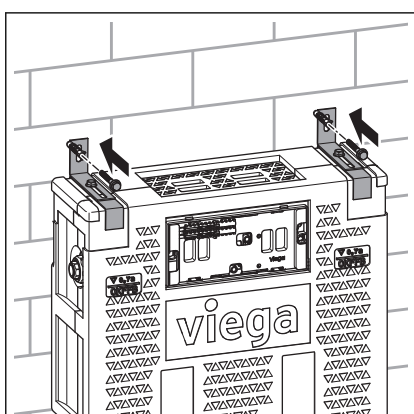
- Attach the bottom part of the block. Guide the threaded rods through the guide rail of the Viega Mono WC block.
- Attach threaded rods.



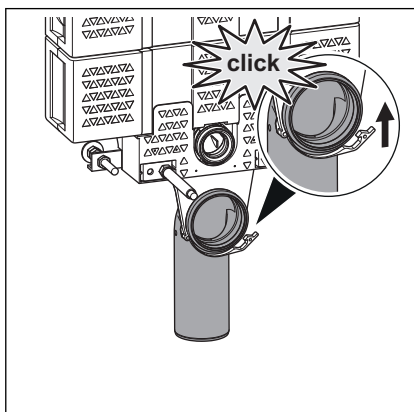
- Place the upper part of the Viega Mono WC block onto the mounted bottom part of the block.



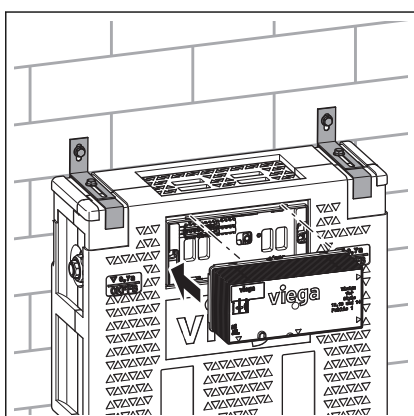
- Fit mounting angle.
- Align Viega Mono WC block on the wall using a spirit level.
- Mark bore hole and drill hole (10 mm).



- Screw on mounting angle.



► Fit and clip in drain elbow.



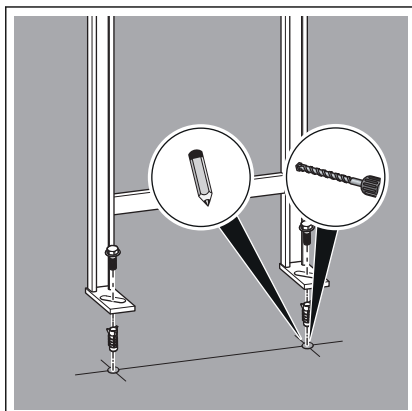
► Fit revision frame with site protection at the front.



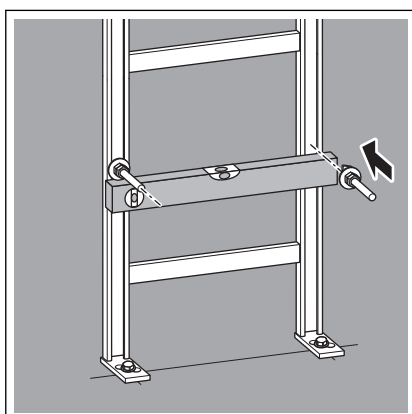
Line mounting

For line mounting, attach additional Viega Mono WC blocks as described above.

Stand-alone mounting with pedestal

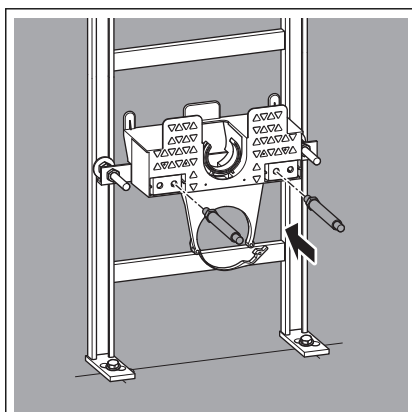


- Mark drill holes.
- Drill holes (10 mm).

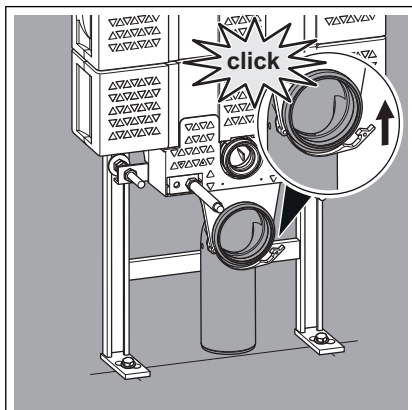


INFO! Fixing height of the WC ceramic The fixing height of the WC ceramic is the correct height for the fitting of the threaded rods.

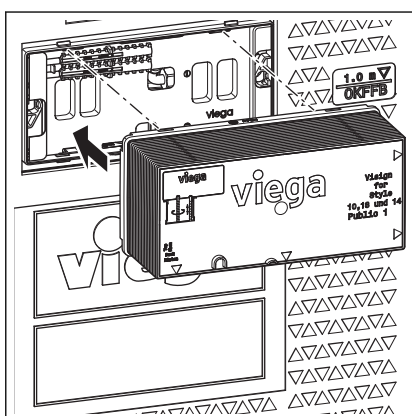
- Fit threaded rods.



- Push on the bottom part of the Viega Mono WC block. The threaded rods are guided through the guide rail of the Viega Mono WC block.



- Place on the upper part of the Viega Mono WC block.
- Fit and clip in drain elbow.

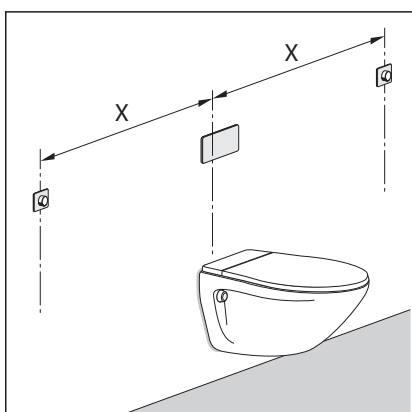


- Install revision frame.

3.2.3 Preparing optional actuation versions

Prepare remote actuation

The corresponding empty pipe (included in the scope of delivery of the remote actuation) is required when preparing the remote actuation Visign for Public 1 (model 8326.21).



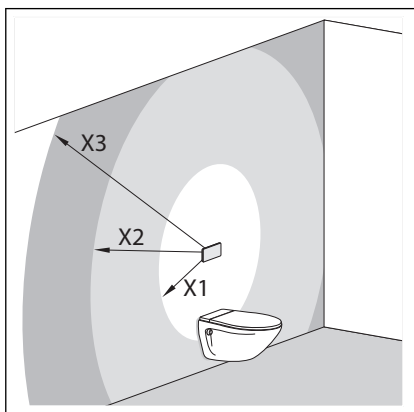
- Lead the empty pipe from the hollow wall socket into the concealed cistern.

Distance from the remote actuation to the cistern (x):

- minimum 1.0 m
- maximum 1.7 m

Preparing the electronic flush actuation

A corresponding empty pipe (not included in the scope of delivery of the electronic flush actuation) is required for the preparation of the electronic flush actuation (model 8350.32).



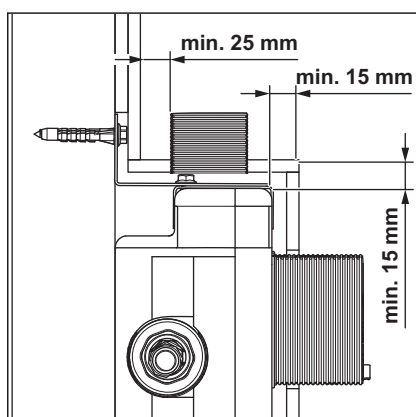
- Lead empty pipe from the switch or button into the concealed cistern, to connect the concealed socket and concealed cistern.

Distance of the power pack from the cistern

- X1 = max. 0.75 m
- X2 = max. 2.75 m with an extension cable, 1 x article number 628 505
- X3 = max. 4.75 m with two extension cables, 2 x article number 628 505

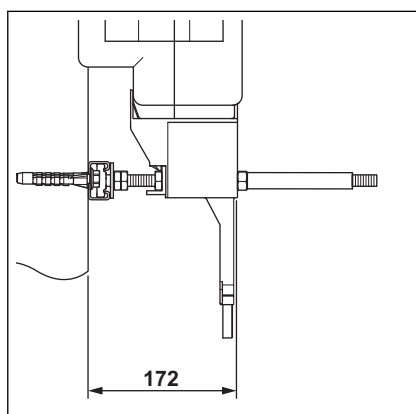
3.2.4 Fixing the Viega Mono WC block

Proceed as follows to prepare the Viega Mono WC block for mounting the subsequent work:

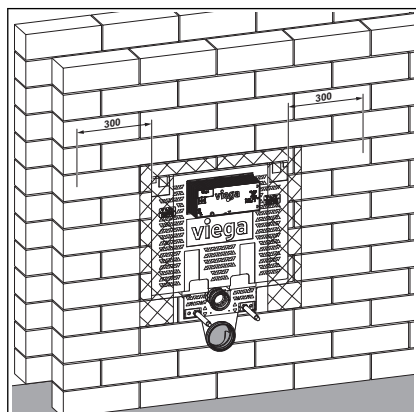


INFO! When the flush actuation is installed at the top, a wall distance must be provided.

- On the top and in the front, provide for minimum 15 mm overlapping with plaster and tiles.
- Provide for a wall distance of at least 25 mm, measured from the tile to the revision shaft.



- Note the minimum installation depth of the Viega Mono WC block of 172 mm and the maximum installation depth of 230 mm.



- ▶ Wall the Viega Mono WC block in at both sides.

The wall-in must have a minimum thickness of 300 mm on both sides.

3.2.5 Setting the flush volume

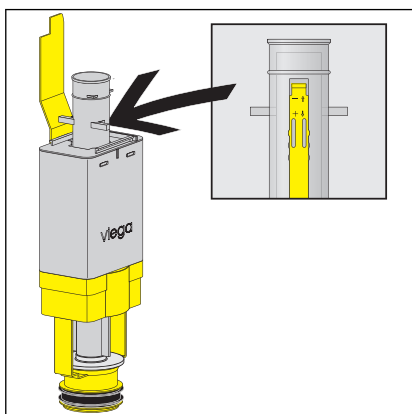
Factory settings

- Immediate re-flushing is possible.
- The small flush volume is set to approx. 3 l.
- The large flush volume is set to approx. 6 l.

Changing the factory settings

- Remove the cover of the cistern.
- Remove the drain valve.
- Set the small flush volume, ↪ „Setting small flush“ on page 25
- Set the large flush volume, ↪ „Setting large flush“ on page 25

Setting small flush

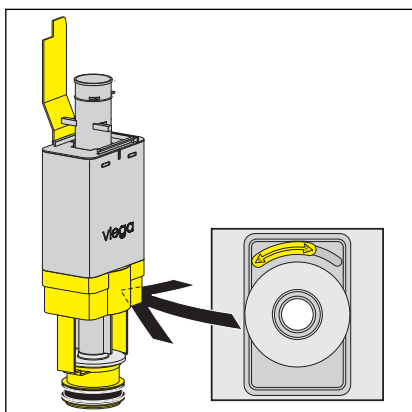


- The small flush volume can be set infinitely from approx. 3 l to approx 4 l.

Push the slide control on the side of the overflow pipe to the desired position:

- top position: approx. 3 l
- middle position: approx. 3.5 l
- bottom position: approx. 4 l

Setting large flush



- The large flush volume can be set infinitely from approx. 6 l to approx 9 l.

Push the slide control below the drain valve to the desired position:

- left: approx. 6 l
- right: approx. 9 l

3.3 Cleaning and maintenance

The mechanism of the product is maintenance-free.

However, limescale deposits can affect the functionality of the components. Depending on the extent of the deposits, the inlet and drain valves of a concealed cistern must be cleaned or replaced.

Depending on the position of the flush plate, work on the concealed cistern can be carried out from the front or from above through the revision opening.

3.4 Disposal

Separate the product and packaging materials (e. g. paper, metal, plastic or non-ferrous metals) and dispose of in accordance with valid national legal requirements.